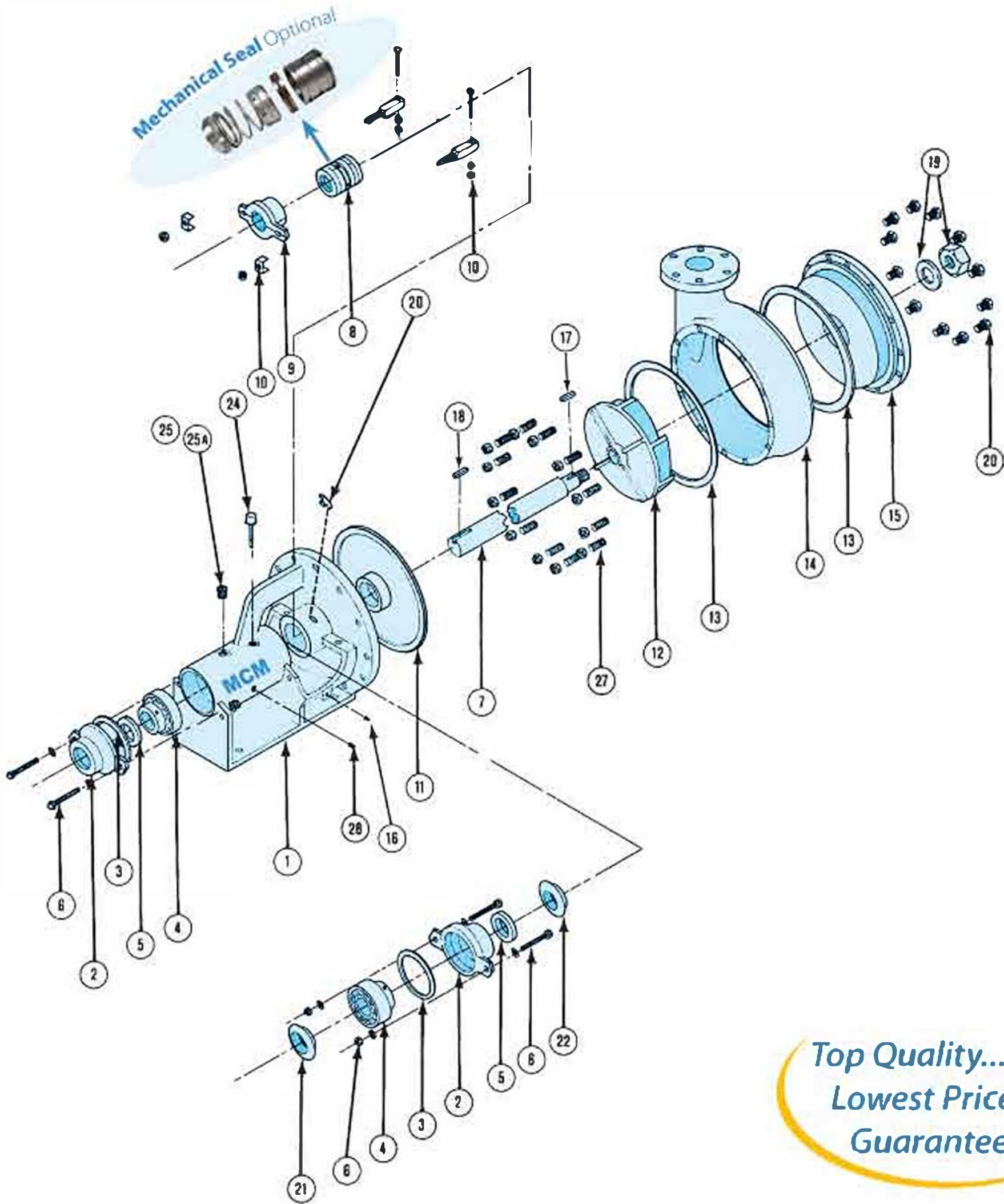


# 178 SERIES *Parts Diagram*



*Top Quality...  
Lowest Prices...  
Guaranteed!!!*

# 178 SERIES

## 178 PUMP SIZES

PUMP SIZE & ROTATION	MAX IMPELLER	MODEL NUMBER			
		316-SS	DUCTILE IRON	ALUMINUM BRONZE FITTED	ALUMINUM BRONZE
2x3R	13"	CP7823SRXXX	CP7823DRXXX	CP7823AFRXXX	CP7823ARXXX
2x3L	13"	CP7823SLXXX	CP7823DLXXX	CP7823AFLXXX	CP7823ALXXX
3x4R	13"	CP7834SRXXX	CP7834DRXXX	CP7834AFRXXX	CP7834ARXXX
3x4L	13"	CP7834SLXXX	CP7834DLXXX	CP7834AFLXXX	CP7834ALXXX
4x5R	12"	CP7845SRXXX	CP7845DRXXX	CP7845AFRXXX	CP7845ARXXX
4x5L	12"	CP7845SLXXX	CP7845DLXXX	CP7845AFLXXX	CP7845ALXXX
5x6R	12"	CP7856SRXXX	CP7856DRXXX	CP7856AFRXXX	CP7856ARXXX
5x6L	12"	CP7856SLXXX	CP7856DLXXX	CP7856AFLXXX	CP7856ALXXX
6x8R	13"	CP7868SRXXX	CP7868DRXXX	CP7868AFRXXX	CP7868ARXXX
6x8L	13"	CP7868SLXXX	CP7868DLXXX	CP7868AFLXXX	CP7868ALXXX

## 178 PUMP PARTS LIST

Item No.	Part No.	Description	Qty. Req'd.	Approx. Wt.
1	P78PED	178 Pedestal	1	210.00
2	P78BC	178 Bearing Cap	2	5.00
3	P78BCG	178 Bearing Cap Gasket	2	.10
4	P78BA	178 Bearing Assembly	2	4.00
5	P78OGS	178 Oil & Grease Seal	2	.25
6	P78BCBA	178 Bearing Cap Bolt Assembly	4	.25
7	*	178 Shaft Assembly	1	25.00
8	*	178 Packing Assembly / Mechanical Seal	1	.50
9	P78PG	178 Packing Gland	1	1.75
10	P78GABA	178 Gland Adjustment Bolt Assembly	2	.75
11	*	178 Wear Plate	1	15.00
12	*	178 Impeller	1	*
13	P78HG	178 Housing Gasket	2	.10
14	*	178 Housing	1	*
15	*	178 Housing Face	1	*
16	P78DBDP	178 Drip Bowl Drain Plug	1	.25
17	P78IK-56	178 Impeller Key (2x3 thru 5x6)	1	.10
17A	P78IK-68	178 Impeller Key (6x8 only)	1	.10
18	P78CK	178 Coupling Key	1	.25
19	P78LNA	178 Lock Nut Assembly	1	.05
20	P78ZGF	178 Zert Grease Fitting	1	.10
21	P78SRO	178 Slinger Ring - Oil	1	.25
22	P78SRW	178 Slinger Ring - Water	1	.25
23	P78HDP	178 Housing Drain Plug	1	.25
24	P78DS	178 Dip Stick	1	.75
25	P78FBC	178 Filler Breather Cap	1	.50
25A	P78OW	178 Oil Vent Valve	1	.05
26	P78HFCS	178 Housing Face Cap Screw	12	.25
27	P78HSN	178 Housing Stud W/ Nut	12	.50
28	P78ODP	178 Oil Drain Plug	1	.05

# 178 SERIES

## 178 PUMP PARTS OPTIONS

Item No.	Part No.	Description	Approx. Wt.
*7	P78SH416SC56	178 416-SS Ceramic Coated Shaft F/ 2 x 3 Thru 5 x 6	25.00
	P78SH416SC68	178 416-SS Ceramic Coated Shaft F/ 6 x 8 (Only)	25.00
	P78SH316SS56	178 316-SS Shaft F/ 2 x 3 Thru 5 x 6	25.00
	P78SH316SS68	178 316-SS Shaft F/ 6 x 8 (Only)	25.00
	P78SH416SS56	178 416-SS Shaft F/ 2 x 3 Thru 5 x 6	25.00
	P78SH416SS68	178 416-SS Shaft F/ 6 x 8 (Only)	25.00
*8	P78PMSG	178 Graphite Packing Assembly	.50
	P78PMSK	178 King Packing Assembly	.50
	P78PMST	178 Teflon Packing Assembly	.50
	P78MSXX	178 Mechanical Seal	3.50
*11	P78WPS	178 316-SS Wear Plate	15.00
	P78WPD	178 Ductile Iron Wear Plate	15.00
	P78WPA	178 Aluminum Bronze Wear Plate	15.00
*12	P78S23MRXXX	178 2 x 3 316-SS Right Hand Impeller	23.00
	P78S23MLXXX	178 2 x 3 316-SS Left Hand Impeller	23.00
	P78D23MRXXX	178 2 x 3 Ductile Iron Right Hand Impeller	23.00
	P78D23MLXXX	178 2 x 3 Ductile Iron Left Hand Impeller	23.00
	P78A23MRXXX	178 2 x 3 Aluminum Bronze Right Hand Impeller	23.00
	P78A23MLXXX	178 2 x 3 Aluminum Bronze Left Hand Impeller	23.00
	P78S34MRXXX	178 3 x 4 316-SS Right Hand Impeller	25.00
	P78S34MLXXX	178 3 x 4 316-SS Left Hand Impeller	25.00
	P78D34MRXXX	178 3 x 4 Ductile Iron Right Hand Impeller	25.00
	P78D34MLXXX	178 3 x 4 Ductile Iron Left Hand Impeller	25.00
	P78A34MRXXX	178 3 x 4 Aluminum Bronze Right Hand Impeller	25.00
	P78A34MLXXX	178 3 x 4 Aluminum Bronze Left Hand Impeller	25.00
	P78S45MRXXX	178 4 x 5 316-SS Right Hand Impeller	32.00
	P78S45MLXXX	178 4 x 5 316-SS Left Hand Impeller	32.00
	P78D45MRXXX	178 4 x 5 Ductile Iron Right Hand Impeller	32.00
	P78D45MLXXX	178 4 x 5 Ductile Iron Left Hand Impeller	32.00
	P78A45MRXXX	178 4 x 5 Aluminum Bronze Right Hand Impeller	32.00
	P78A45MLXXX	178 4 x 5 Aluminum Bronze Left Hand Impeller	32.00
	P78S56MRXXX	178 5 x 6 316-SS Right Hand Impeller	35.00
	P78S56MLXXX	178 5 x 6 316-SS Left Hand Impeller	35.00
	P78D56MRXXX	178 5 x 6 Ductile Iron Right Hand Impeller	35.00
	P78D56MLXXX	178 5 x 6 Ductile Iron Left Hand Impeller	35.00
	P78A56MRXXX	178 5 x 6 Aluminum Bronze Right Hand Impeller	35.00
	P78A56MLXXX	178 5 x 6 Aluminum Bronze Left Hand Impeller	35.00
	P78S68MRXXX	178 6 x 8 316-SS Right Hand Impeller	54.00
	P78S68MLXXX	178 6 x 8 316-SS Left Hand Impeller	54.00
	P78D68MRXXX	178 6 x 8 Ductile Iron Right Hand Impeller	54.00
	P78D68MLXXX	178 6 x 8 Ductile Iron Left Hand Impeller	54.00
	P78A68MRXXX	178 6 x 8 Aluminum Bronze Right Hand Impeller	54.00
	P78A68MLXXX	178 6 x 8 Aluminum Bronze Left Hand Impeller	54.00

# 178 SERIES

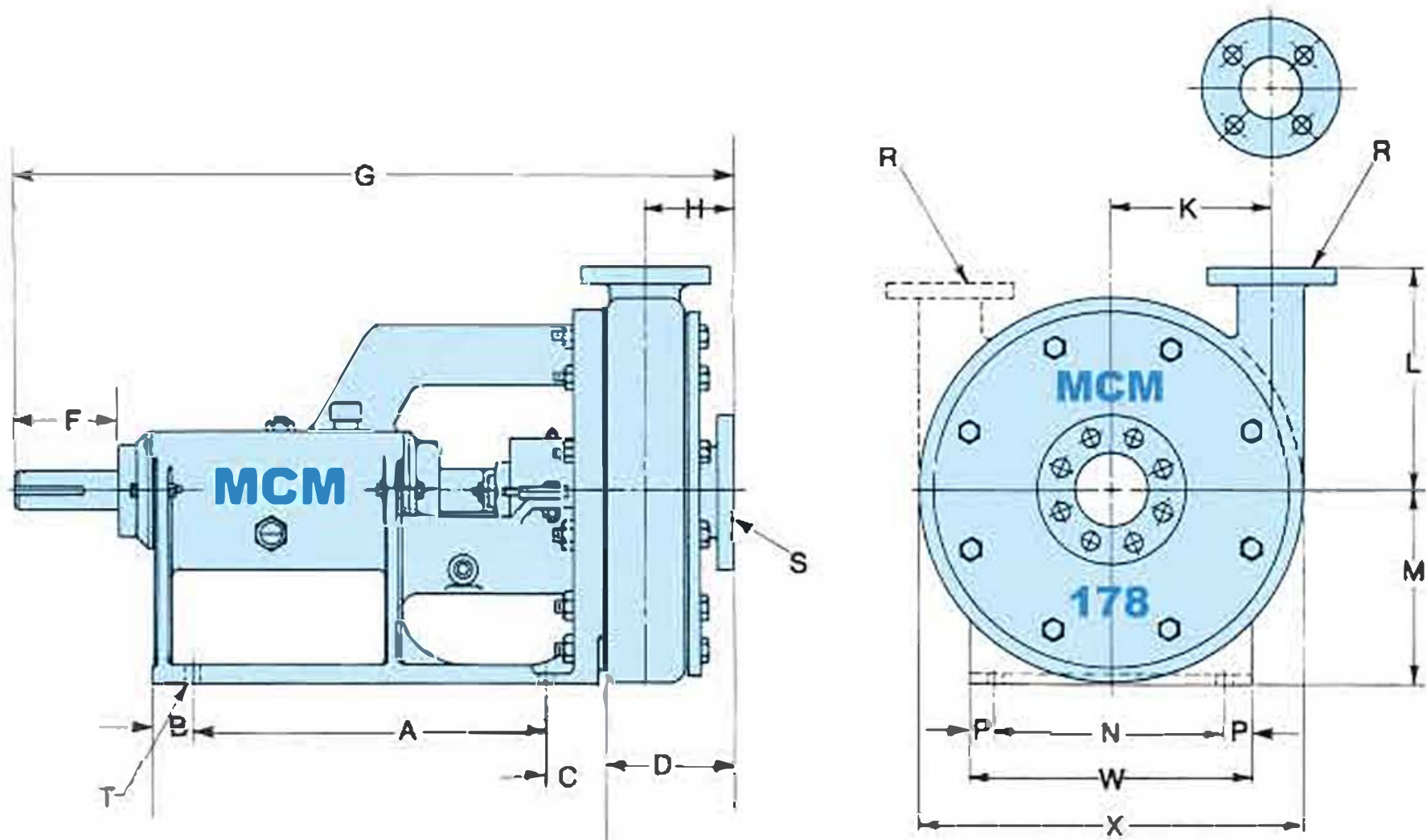


## PARTS OPTIONS (Continued)

Item No.	Part No.	Description	Approx. Wt.
*14	P78S23H	178 2 x 3 316-SS Housing	61.00
	P78D23H	178 2 x 3 Ductile Iron Housing	62.00
	P78A23H	178 2 x 3 Aluminum Bronze Housing	62.00
	P78S34H	178 3 x 4 316-SS Housing	64.00
	P78D34H	178 3 x 4 Ductile Iron Housing	68.00
	P78A34H	178 3 x 4 Aluminum Bronze Housing	68.00
	P78S45H	178 4 x 5 316-SS Housing	87.00
	P78D45H	178 4 x 5 Ductile Iron Housing	88.00
	P78A45H	178 4 x 5 Aluminum Bronze Housing	88.00
	P78S56H	178 5 x 6 316-SS Housing	105.00
	P78D56H	178 5 x 6 Ductile Iron Housing	106.00
	P78A56H	178 5 x 6 Aluminum Bronze Housing	106.00
	P78S68H	178 6 x 8 316-SS Housing	204.00
	P78D68H	178 6 x 8 Ductile Iron Housing	206.00
P78A68H	178 6 x 8 Aluminum Bronze Housing	206.00	
*15	P78S23F	178 2 x 3 316-SS Face	60.00
	P78D23F	178 2 x 3 Ductile Iron Housing	62.00
	P78A23F	178 2 x 3 Aluminum Bronze Housing	66.00
	P78S34F	178 3 x 4 316-SS Face	65.00
	P78D34F	178 3 x 4 Ductile Iron Housing	66.00
	P78A34F	178 3 x 4 Aluminum Bronze Housing	68.00
	P78S45F	178 4 x 5 316-SS Face	66.00
	P78D45F	178 4 x 5 Ductile Iron Housing	70.00
	P78A45F	178 4 x 5 Aluminum Bronze Housing	70.00
	P78S56F	178 5 x 6 316-SS Face	82.00
	P78D56F	178 5 x 6 Ductile Iron Housing	84.00
	P78A56F	178 5 x 6 Aluminum Bronze Housing	84.00
	P78S68F	178 6 x 8 316-SS Face	83.00
	P78D68F	178 6 x 8 Ductile Iron Housing	85.00
P78A68F	178 6 x 8 Aluminum Bronze Housing	85.00	
*14/15	P78A23HFA(Z)	178 2 x 3 Aluminum Bronze Housing Assembly	132.00
	P78S23HFA(Z)	178 2 x 3 316-SS Housing Assembly	132.00
	P78D23HFA(Z)	178 2 x 3 Ductile Iron Housing Assembly	132.00
	P78A34HFA(Z)	178 3 x 4 Aluminum Bronze Housing Assembly	140.00
	P78S34HFA(Z)	178 3 x 4 316-SS Housing Assembly	140.00
	P78D34HFA(Z)	178 3 x 4 Ductile Iron Housing Assembly	140.00
	P78A45HFA(Z)	178 4 x 5 Aluminum Bronze Housing Assembly	156.00
	P78S45HFA(Z)	178 4 x 5 316-SS Housing Assembly	156.00
	P78D45HFA(Z)	178 4 x 5 Ductile Iron Housing Assembly	156.00
	P78A56HFA(Z)	178 5 x 6 Aluminum Bronze Housing Assembly	190.00
	P78S56HFA(Z)	178 5 x 6 316-SS Housing Assembly	190.00
	P78D56HFA(Z)	178 5 x 6 Ductile Iron Housing Assembly	190.00
	P78S68HFA(Z)	178 6 x 8 316-SS Housing Assembly	290.00
	P78D68HFA(Z)	178 6 x 8 Ductile Iron Housing Assembly	290.00

# 178 SERIES

## Dimensional Outline



### PEDESTAL, HOUSING, & INSTALLATION DIMENSIONS

PUMP SIZE	A	B	C	D	F	G	H	K	L	M	N	P	R	S	T	W	X
2x3	16½	1⅞	2¼	6	5	33½	4	7	10¼	9	7	1	2	3	(4)- <sup>1</sup> / <sub>16</sub>	9	18
3x4	16½	1⅞	2¼	6¾	5	34½	4¼	7½	10¾	9	7	1	3	4	(4)- <sup>1</sup> / <sub>16</sub>	9	18
4x5	16½	1⅞	2¼	6¾	5	35½	5½	7	11	9	7	1	4	5	(4)- <sup>1</sup> / <sub>16</sub>	9	18
5x6	16½	1⅞	2¼	8¾	5	36¾	5¾	6	11	9	7	1	6	8	(4)- <sup>1</sup> / <sub>16</sub>	9	18
6x8	16½	1⅞	2¼	10½	5	37½	6¼	8¾	14¼	9	7	1	6	8	(4)- <sup>1</sup> / <sub>16</sub>	9	23

### FLANGE SIZES

Pump Size	Pump Type (Shaft Dia.)	Discharge Pipe		Suction Pipe	
		Size	Drilling	Size	Drilling
2x3-R & L	1⅞	2	4 Holes ¾ Dia. 4¾ B.C.	3	4 Holes ¾ Dia. 6 B.C.
3x4-R & L	1⅞	3	8 Holes ¾ Dia. 6 B.C.	4	8 Holes ¾ Dia. 7½ B.C.
4x5-R & L	1⅞	4	8 Holes ¾ Dia. 7½ B.C.	5	8 Holes ¾ Dia. 8½ B.C.
5x6-R & L	1⅞	5	8 Holes ¾ Dia. 8½ B.C.	6	8 Holes ¾ Dia. 9½ B.C.
6x8-R & L	1⅞	6	8 Holes ¾ Dia. 9½ B.C.	8	8 Holes ¾ Dia. 11¼ B.C.

ISO 9001-2000 Certified